

8770 CUBICLE TRACK

Track Dimensions: 1-1/8" wide x 3/4" high

6063-T5 Extruded Aluminum
with Commercial Clear Satin Anodized Finish

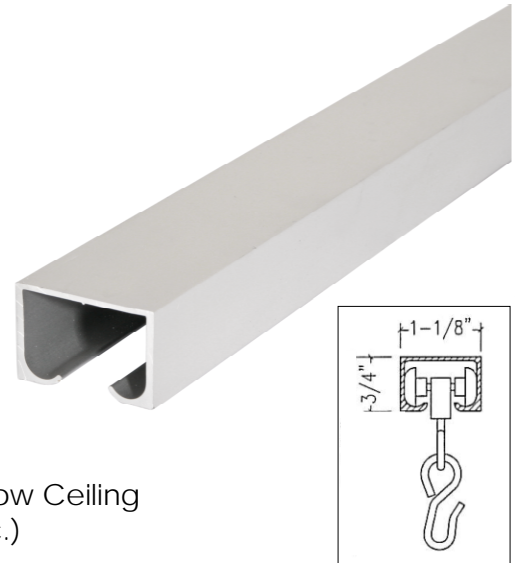
Curved on 14" Radius (Fixed Radius)
Standard Bends are 90-Degrees and 45-Degrees

Standard Installation is Ceiling Mount Directly to Ceiling

Track is Not Pre-Drilled

Suspension Components are Available to Suspend Track Below Ceiling
to Avoid Obstructions (Light Fixtures, Vents, Fire Sprinklers, etc.)

Primary Use is for Privacy Curtains in Hospitals, Nursing Homes and Doctor's Offices



STANDARD COMPONENTS



#8780 Nylon Roller Carrier
with Swivel Eye with Hook
(We provide 3 rollers
per foot of track)



#8785 End Stop
(We provide one per track)



#8790 End Stop with Pullout
(We provide one per track)



#8795 Splice (Joining Sleeve)

If track is cut for UPS shipping, we will provide
necessary splices for use in reassembling track



1194 E. VALENCIA DRIVE FULLERTON CALIFORNIA 92831-4627
TEL: (714) 879-0341 (800) 725-3266 FAX (714) 879-9365
www.covoc.com info@covoc.com